

# INSTALLATION INSTRUCTIONS

## 2018 Tracker Convertible Top

### Pro Guide V 185 WT

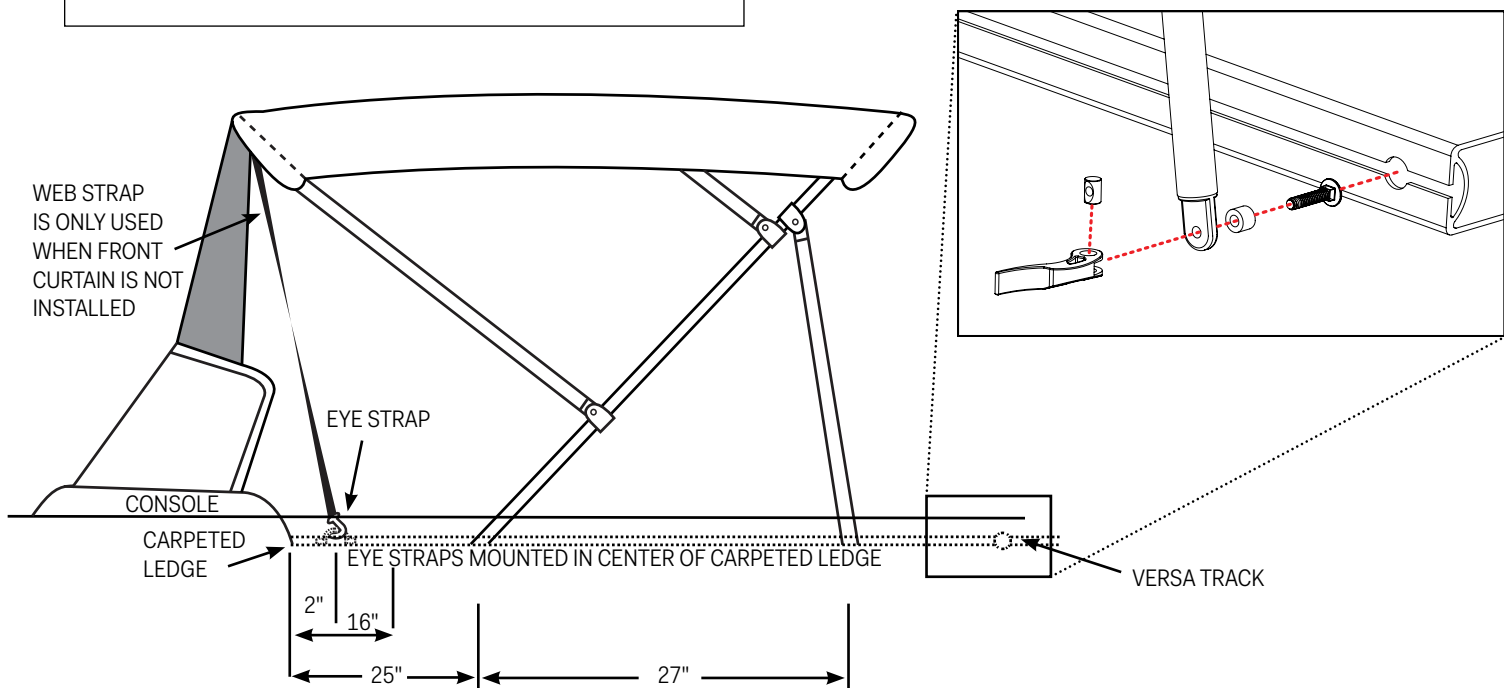
#### PARTS LIST

Top / Boot / Frame / Hardware / Full

Frame (2 pc)

Top with Front Curtain

Boot



## INSTALLATION

### STEP 1:

Install eye straps in the center of the carpeted ledge. Install hardware into inside Versa Track. Thread weld nut onto screw, do not tighten. Slip weld nut into Versa Track. Slide to proper location and tighten. Make sure hinge is pointed up. (Figure 1)

### STEP 2

Wrap the web strap around the frame through the cut-out in the front canvas and attach hook to eye strap. Adjust strap for a tight and smooth appearance.

### STEP 3:

Stow in radar arch position by releasing the web straps from the eye straps and fold frame toward the back of the boat. Install the boot. Top may be left in radar arch position.

### STEP 4:

Top may also be stored by laying across the rear of the boat. Loosen the fasteners and slide the hold-down arms toward the rear of the boat.

### STEP 5:

Return the top to the raised position. Check that the support arms and straps on the bimini are in the proper place and secure. The top should be free of wrinkles.

**CARE**



**WARNING**  
DO NOT TRAILER BOAT WITH  
TOP IN RADAR ARCH POSITION!



**CAUTION**  
DO NOT STOW TOP WHILE WET!

